

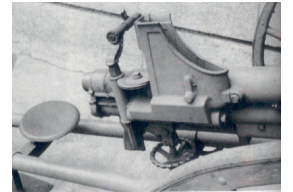
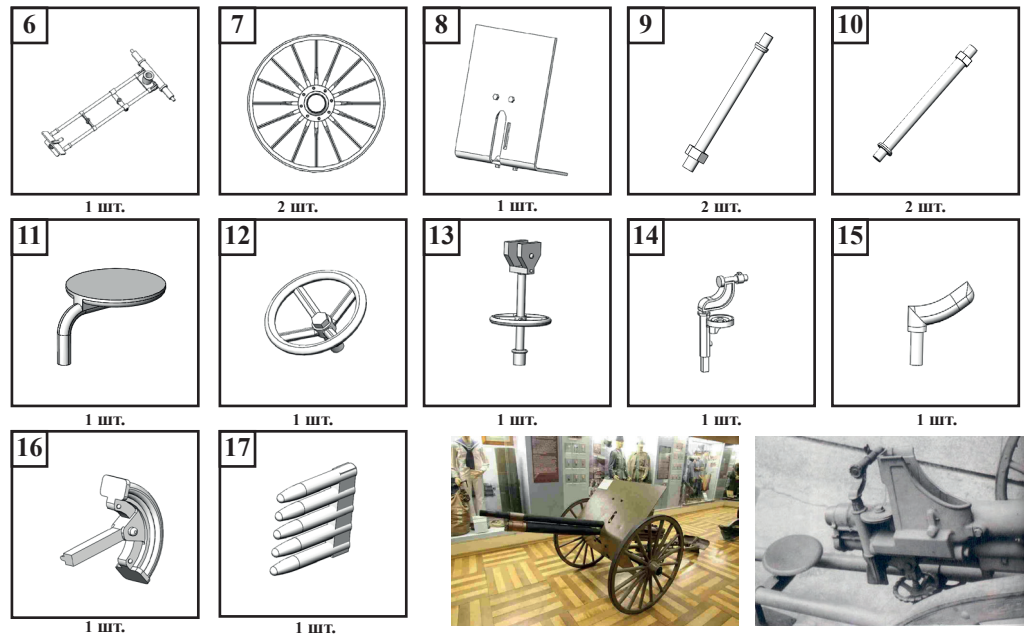
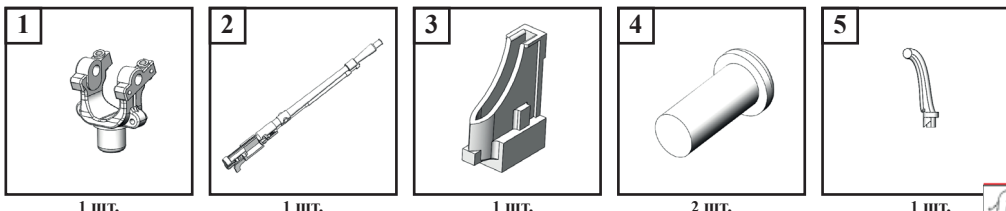


лафете пехотного типа, имевшим щит для защиты расчета, и на тумбовом лафете для установки на суда и бронепоезда. Каждое поставленное орудие снабжалось запасными обоймами в количестве 100 штук. Данные о использовании 37 мм пушки McLean Русской армией в Первую Мировую почти отсутствуют. Но в Гражданской войне пушка использовалась, в частности стояла на вооружении Чехословацкого корпуса и кораблях Северодвинской флотилии. Сколько было потеряно 37 мм орудий в Гражданской войне неизвестно, но в 20-е в Финляндии оказалось пять орудий, в Чехословакии в 30-е числилось семь. В 1935 г. все оставшиеся в СССР 37-мм автоматические орудия McLean были переданы революционной Испании, где успешно себя зарекомендовала в том числе и как противотанковая.

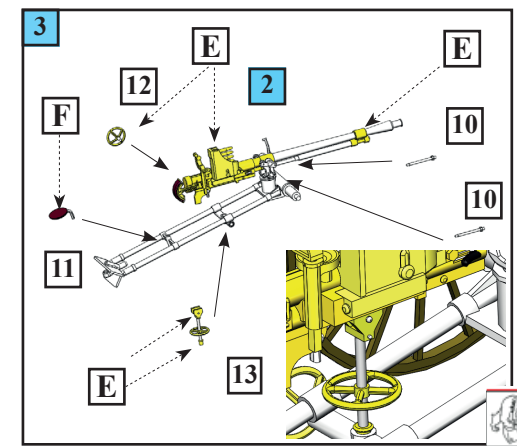
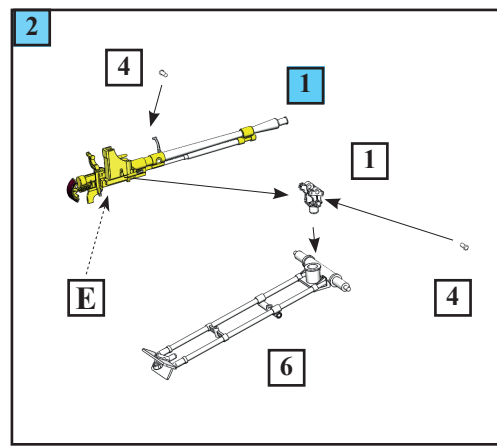
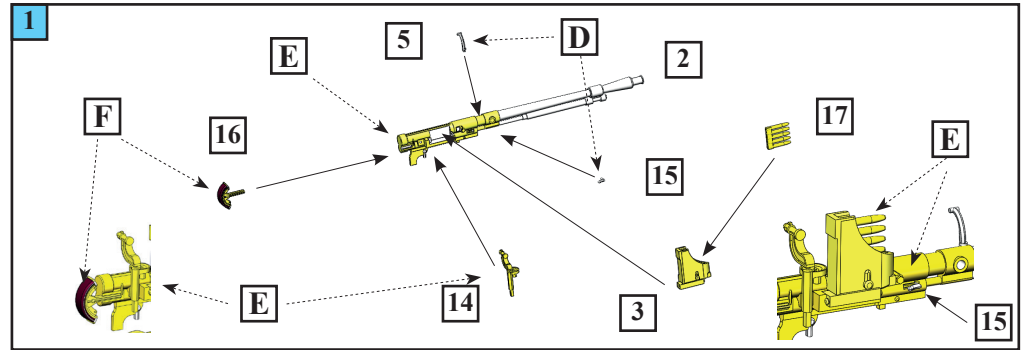


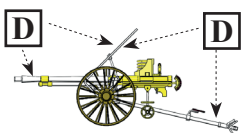
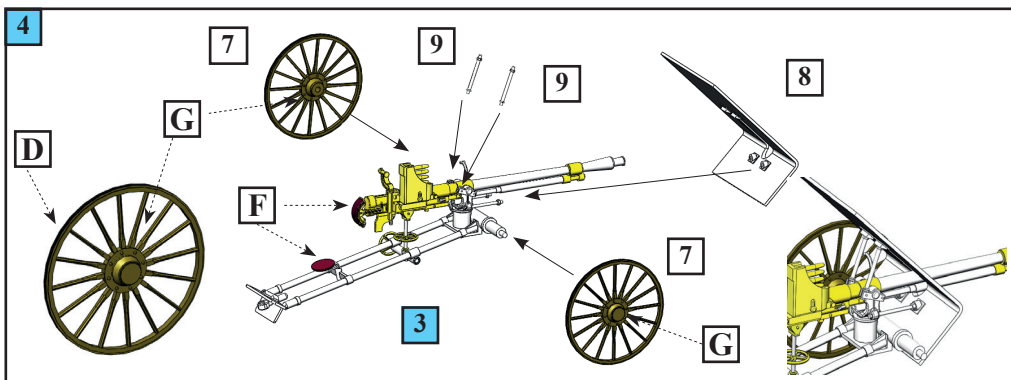
Of particular note among the automatic guns of the First World War period is the 37-mm Samuel Neal McLean assault rifle. Its inventor is an American doctor, dentist and part-time inventor of automatic weapons, both small arms and artillery. His most famous inventions are the 37 mm automatic cannon and the Lewis machine gun. Yes, it was he who developed the principles and automation of the Lewis machine gun, which was further improved by the American officer Newton Lewis, who launched the production of this machine gun in England in 1913. Dr. Samuel Neal McLean applied for his first patents in 1899, and they were registered in 1902. At the same time, the doctor offered the US government his 37-mm automatic gun, 51 caliber long - Mk1. The guns were tested in 1903-1904. at the Sandy Hook range. The gun was mounted on a truck. Automation works on the principle of venting gases from the barrel. Food - clip for 5 rounds. Maximum elevation angle +15. The gun fired not the most common 37x94R projectile, but the one-pounder 37x137R adopted in the American Navy at distances of 3200 km. In 1905, a redesigned 54-caliber gun, the Mk2, was presented for testing. But the US military showed no interest in it, despite new tests. Apparently this led to the creation of a 70-caliber version of the gun - Mk3. After the outbreak of the First World War, the Military Ministry of the Russian Empire began to purchase guns that were planned to be used as battalion (trench) guns and to suppress firing points on the front line. A contract was signed for the supply of 300 (218 delivered) guns, and Russia was the only country to adopt them. The gun was manufactured by Poole Engineering @ Machine Company in Baltimore, Maryland, USA. The gun was produced on an infantry-type wheeled carriage, which had a shield to protect the calculation, and on a pedestal carriage for installation on ships and armored trains. Each delivered gun was supplied with spare clips in the amount of 100 pieces. Data on the use of the 37 mm McLean gun by the Russian army in the First World War is almost absent. But in the Civil War, the gun was used, in particular, it was in service with the Czechoslovak Corps and the ships of the Severodvinsk Flotilla. How many 37 mm guns were lost in the Civil War is unknown, but in the 20s there were five guns in Finland, in Czechoslovakia in the 30s there were seven. In 1935, all 37-mm McLean automatic guns remaining in the USSR were transferred to revolutionary Spain, where it successfully established itself, including as an anti-tank one.

ДЕТАЛИ / DETAILS.

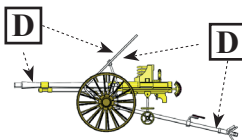


ЭТАПЫ СБОРКИ / ASSEMBLY STEPS.

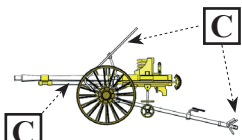




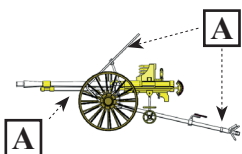
37-мм автоматическая пушка McClean обр. 1916 на колесном станке. Архангельск 1919 г.
37-mm automatic gun McClean model 1916 on a wheeled machine. Arkhangelsk 1919



37-мм автоматическая пушка McClean на колесном станке. Орудие было поставлено в составе военной помощи Испанской республики в 1935 году.
McClean 37 mm automatic cannon on a wheeled machine. The gun was delivered as part of the military aid of the Spanish Republic in 1935.



37-мм автоматическая пушка McClean на колесном станке в составе вооруженных частей Чешского корпуса в России. 1918 год.
McClean 37 mm automatic cannon on a wheeled machine as part of the armed units of the Czech Corps in Russia. 1918.



37-мм автоматическая пушка McClean на колесном станке из состава вооруженных сил Финляндии в 1918-1935 году.
McClean 37 mm automatic cannon on a wheeled machine from the Finnish Armed Forces in 1918-1935.

ОКРАСКА МОДЕЛИ / PAINTING THE MODEL.

	Цвет / Color	АКАН	Humbrol	Model Master
A	Матовый темно серый /Matte darkly grey	77204	32	1723
D	Тёмно - зелёный (Dark Green)	77088	116	1710
C	Тёмный бронзово-зелёный (Deep bronze green)	80035		
D	Матовый черный / Matte black	20002	33	1749
E	Латунь / Brass	76025	54	1782
F	Кожа / Leather	89041	62	1736
G	Дерево / Wood	79030	34	1735



37-мм автоматическая пушка McClean обр. 1916. На колесном станке.



37 mm McClean automatic gun mod. 1916. On a wheeled machine.

1:35

МАСШТАБ
SCALE

Сборная модель.
Unassembled model kit.

